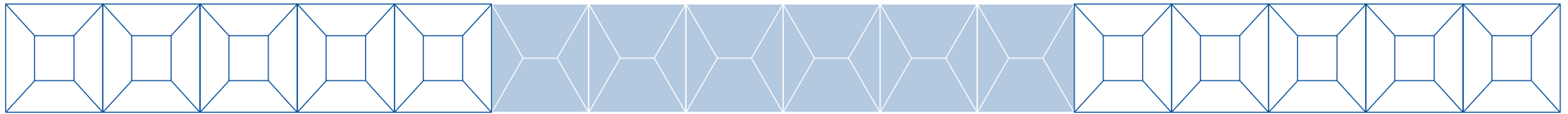


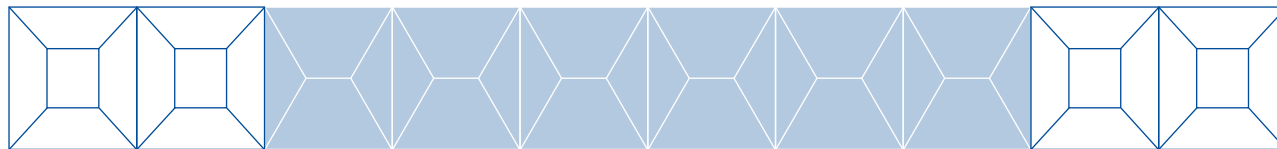
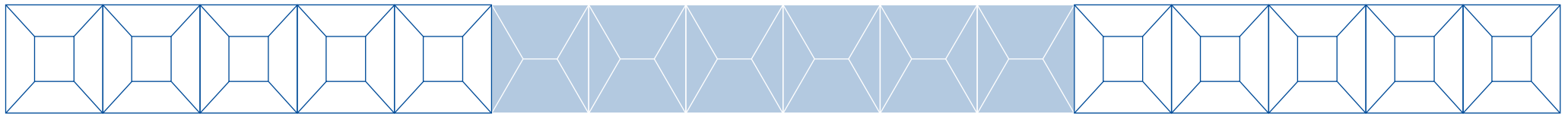


# Caries Detection and Monitoring Record

Patient Name  ID Number  Date  Address



8 7 6 5 4 3 2 1 1 2 3 4 5 6 7 8



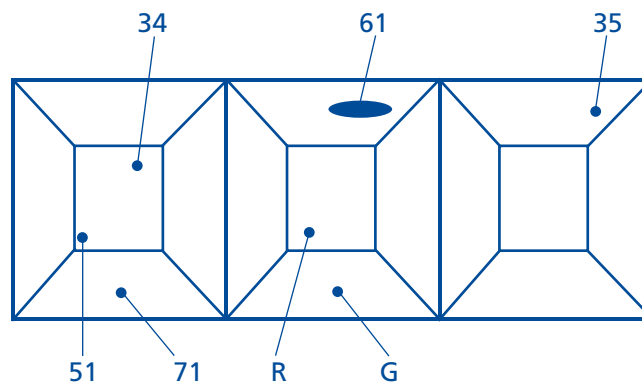
e d c b a a b c d e



**NOTE**  
CarieScan PRO™ should only be used to evaluate posterior (molar and pre-molar) teeth.

**Guidance**

Enter each score of examined in box at a location corresponding to the sensor position on site, as shown in the example:



**CarieScan Ltd**

Prospect Business Centre, The Technology Park, Dundee DD2 1SW

t +44 (0)1382 598 628 f +44 (0)1382 568 403

[www.cariescan.com](http://www.cariescan.com)